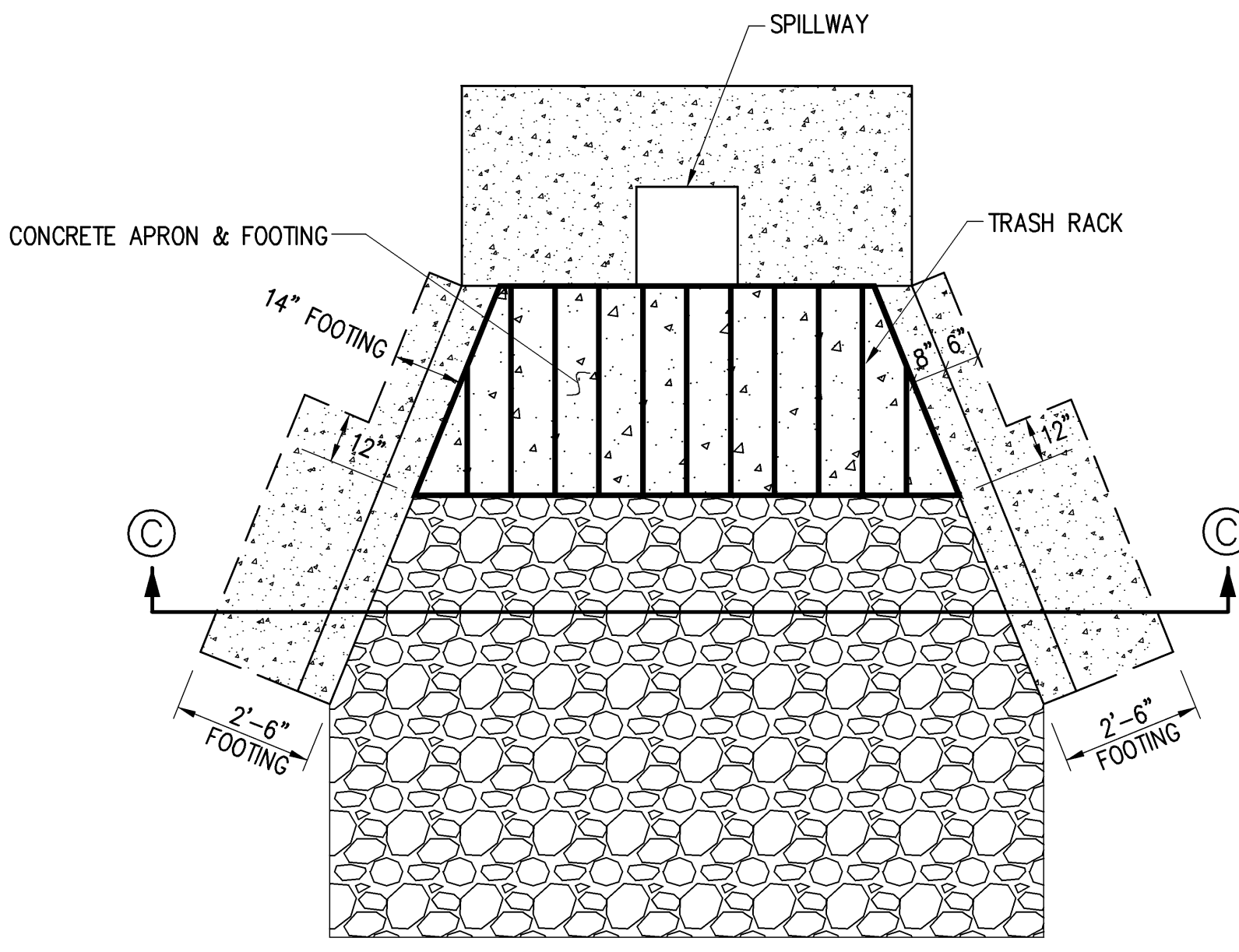


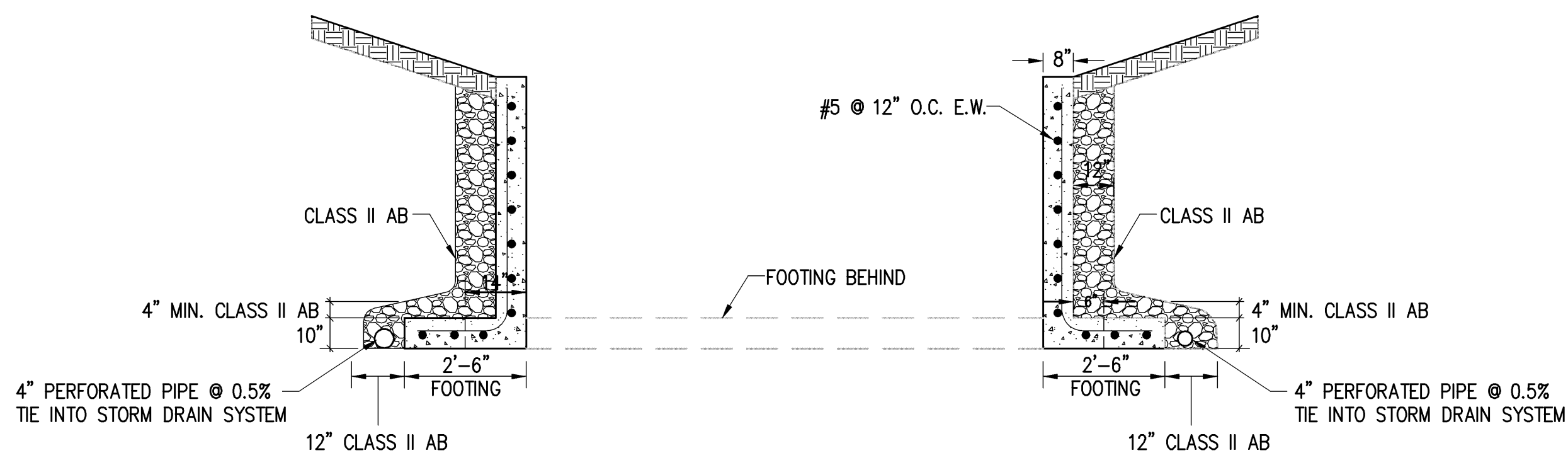


NO.	DATE	DESCRIPTION

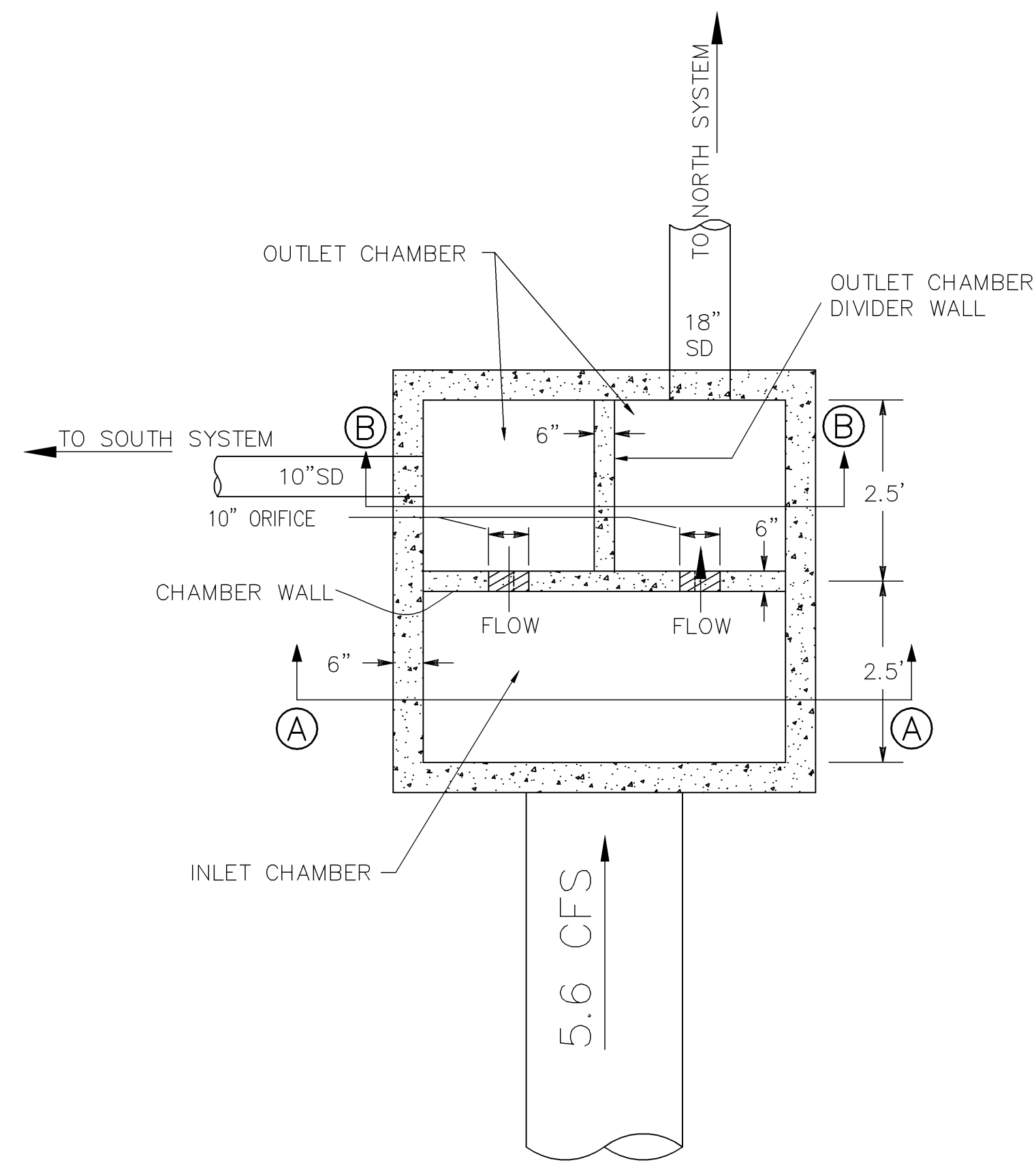
DATE	12/28/2009
DRAWN	MC
CHECKED	VJD
SCALE	AS SHOWN
JOB NO.	208022.00



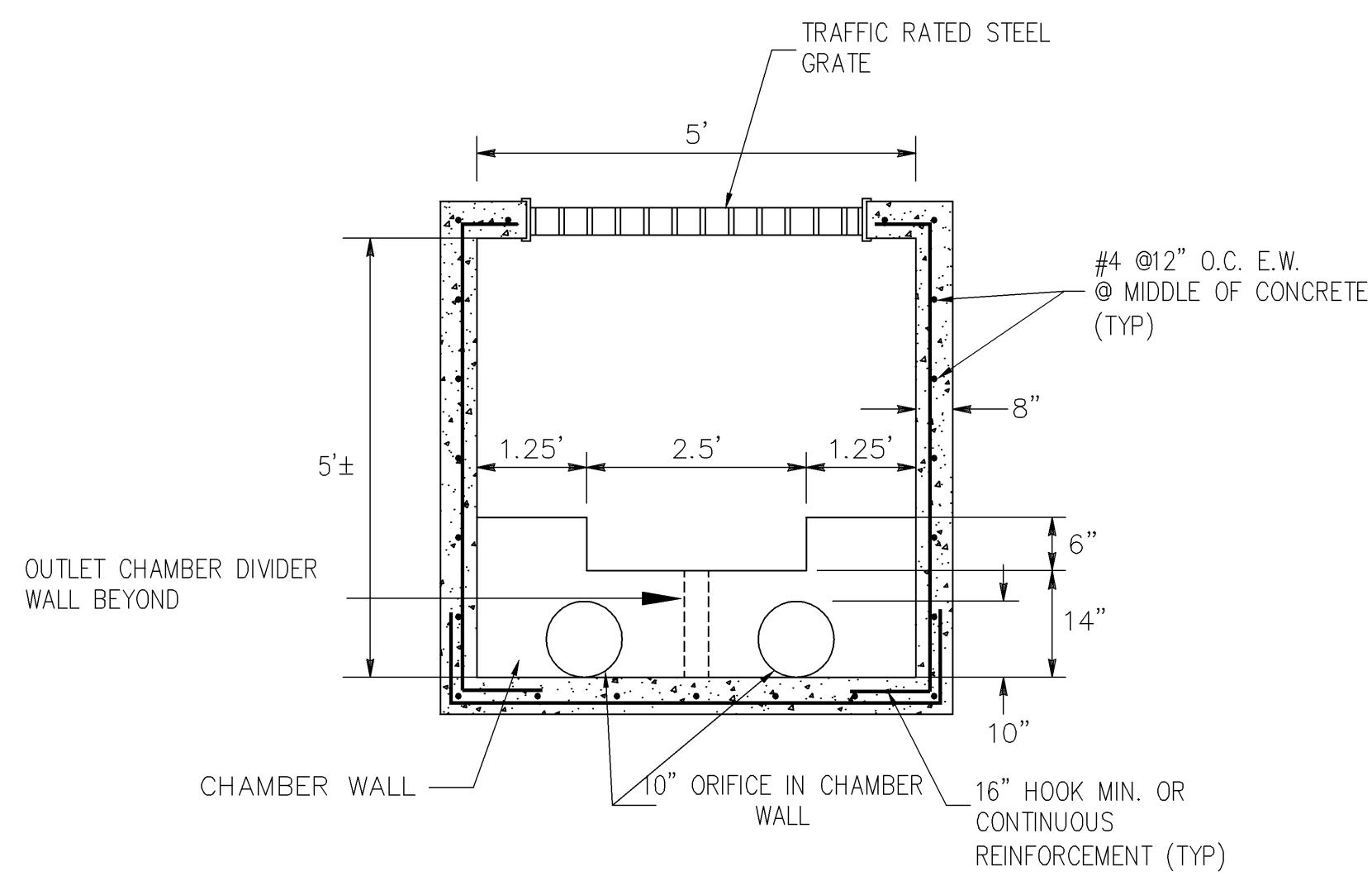
CONTROL STRUCTURE PLAN VIEW



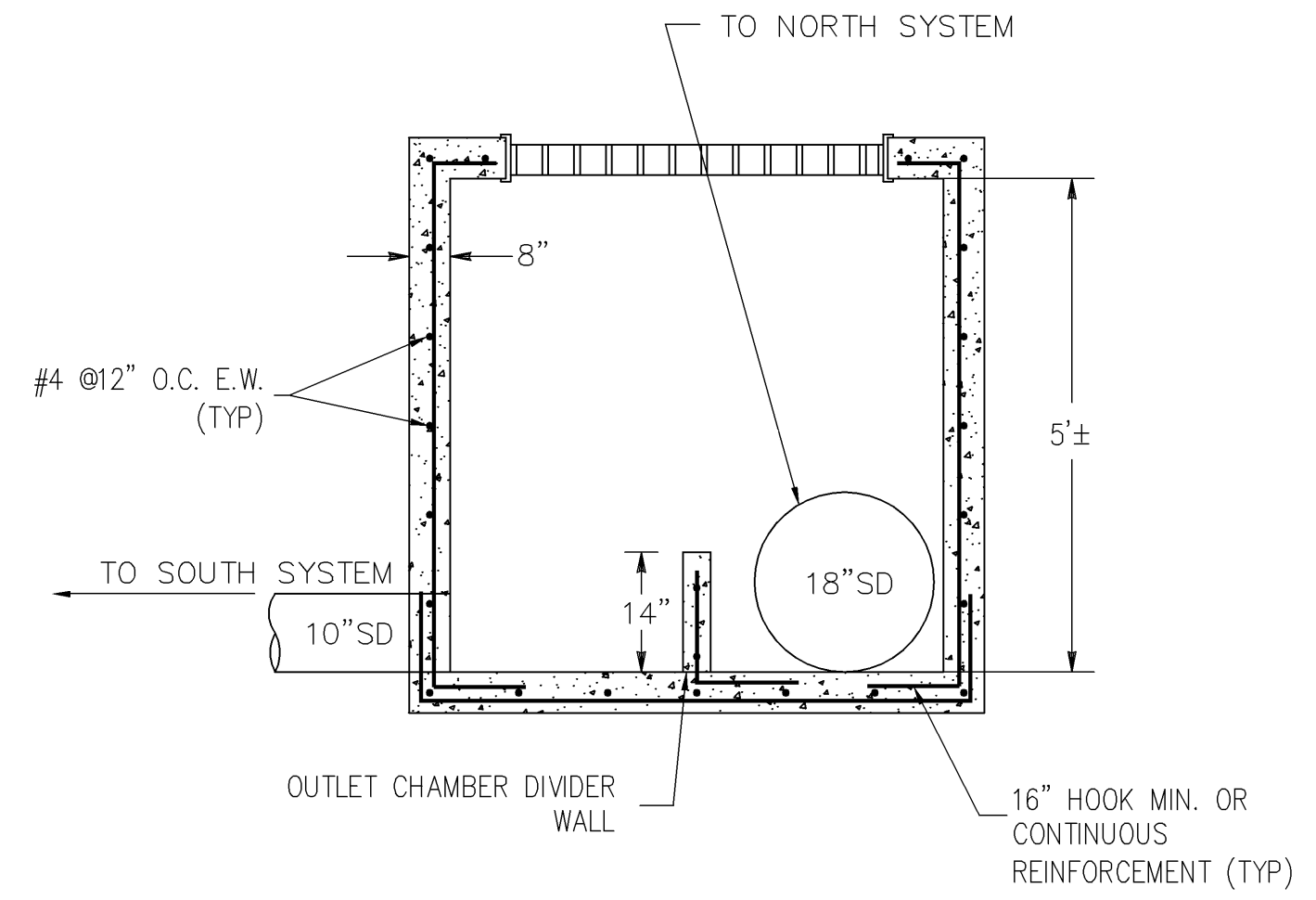
SECTION C-C



DIVERSION STRUCTURE A
 NOT TO SCALE



SECTION A



SECTION B